



for all your shielding projects.

www.nuclear-shields.com

Source Storage

shielded storage safes



**NUCLEAR
SHIELDS**



COMPACT SHIELDED SAFE MODULAR STORE

These lead-lined storage safes are designed to store radioactive sources, such as radiopharmaceuticals and gamma source projectors for industrial radiography.

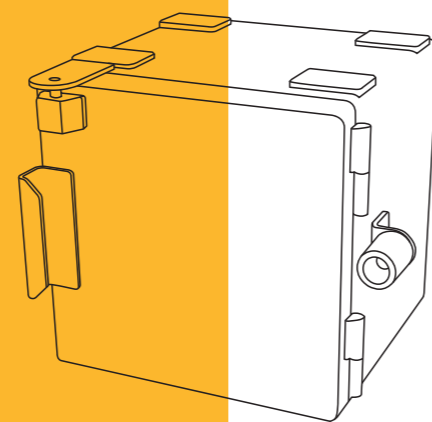
STANDARD VERSION

Overall dimensions	345 x 345 x 300 mm
Inside dimensions	200 x 200 x 200 mm
Shielding material	Epoxy coated lead
Shielding thickness	32 mm
Weight	190 Kg

SENTINEL DELTA 880 VERSION

Overall dimensions	410 x 410 x 435 mm
Inside dimensions	285 x 285 x 360 mm
Shielding material	Epoxy coated lead
Shielding thickness	40 mm
Weight	450 Kg

Other specifications available upon request



MODULAR SOURCE STORE

Place a single lead shielded safe in your room, or create a wall with multiple lead shielded source storage safes. The modular design enables you to easily expand your radioactive source storage capacity. The lead-lined storage safes can be stacked and connected to each other.

ECONOMIC DESIGN

The design of this modular shielded safe has been focussed on efficiency. This means the price will be competitive and that the product is standardised. Other sizes are available upon request.

SENTINEL DELTA 880 VERSION

This shielded safe is designed to fit the Sentinel Delta 880. The lead shielding thickness has been increased from 32 to 40 mm. The optional stainless steel tray on sliders makes it easier to place the device into the safe.

FEATURES

- Modular design - expand your source store
- Compact source storage safe
- Standard size or tailored to your sources
- Secure your sources with a keylock



SHIELDED STORAGE CABINET DRAWERS & DOORS

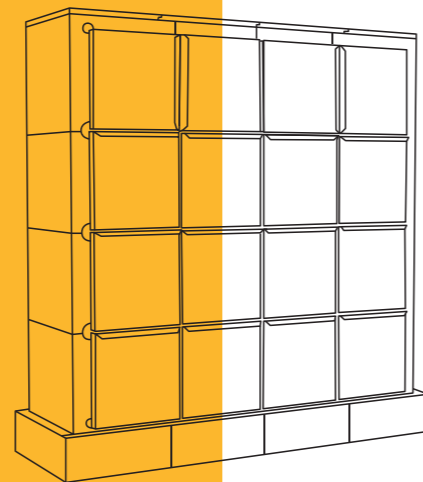
The shielded storage cabinet with drawers and doors is a cabinet with many compartments. It is easy to install and is available with an electronic access control system.

SHIELDING THICKNESSES

- 10 mm lead
- 25 mm lead (standard)
- 50 mm lead

DIMENSIONS

Overall width	2.025 mm
Overall height	2.076 mm
Overall depth	672 mm
Drawer compartment width	279 mm
Drawer compartment depth	458 mm
Drawer compartment height	305 mm
Door compartment width	356 mm
Door compartment depth	381 mm
Door compartment height	396 mm



FEATURES

- Store all your radioactive materials safely
- Electronic access control system with logbook available
- Quick & easy installation - even in small spaces
- Small footprint with large storage capacity



CONTROL ACCESS TO THE SOURCES

This industrial radiography gamma projector storage cabinet is available with an electric access control system using badges and electromagnetic locks to secure the radioactive sources. The access control software enables the admin to add personnel to the user list and hand out personalized badges. These personalized badges can give a person access to specific compartments. The logbook will show when a compartment has been unlocked. The logbook will include the time, date and name of the person who unlocked it.

SAVE MONEY ON INSTALLATION

Installation is quick and easy due to the smart design. By using a vacuum lifter and a roundsling, compact lead shielding plates can be easily placed into position. Installing the shielded radioactive source storage cabinet will only take one day with the correct handling equipment. Even in small spaces.

MEASURE EXTERNAL ACTIVITY UPFRONT

The shielded cabinet can optionally be tested with the same source and activity as the source will be stored in final use. A measurement report will be delivered after this test.



**NUCLEAR
SHIELDS**

LEAD CONTAINERS STORAGE & TRANSPORT

Shielded containers for storage and transportation of radioactive materials. Compact and a high level of shielding possible.

SHIELDING THICKNESSES

Any lead thickness available

DIMENSIONS (STANDARD)

Other dimensions can be manufactured upon request.

stainl. steel container (60 mm lead)

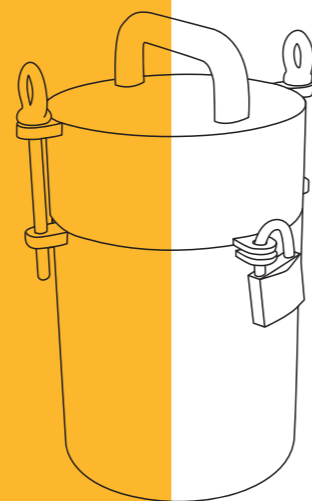
internal diameter	48 mm
internal height	120 mm

Mobile lead container (50 mm lead)

internal diameter	60 mm
internal height	127 mm

lead vial pig (25 mm lead)

internal diameter	70 mm
internal height	44 mm



STAINLESS STEEL LEAD CONTAINERS

Shielded containers with a stainless steel shell providing durability to store radioactive materials for a longer duration. Our stainless steel shielded containers are available with a high amount of lead shielding.

ECONOMIC LEAD CONTAINERS

Lead containers can be made with coated lead on the outside when it is not important that the outside of the container is finished with stainless steel. This will decrease the price of the containers, but also increase the risk of damage.

CARTS FOR TRANSPORTATION

We offer mobile carts for lead containers when the container needs to be moved between different rooms. This will help personnel with transporting the sometimes heavy lead containers between rooms, especially when this has to be done multiple times each day.

FEATURES

- Available in any lead thickness and size
- Clean stainless steel finishing possible
- Move your containers between rooms with a mobile cart



NUCLEAR SHIELDS

Sales & Aftersales:

Nuclear Shields B.V.

Akkervoortweg 5
5827AP, Vortum-Mullem
The Netherlands

Tel. nr. : +31 (0)485561140
E-mail : info@nuclear-shields.com
Web : www.nuclear-shields.com
VAT : NL857196881B01

Chamber of Commerce Eindhoven

reg. nr. : 67846769

Production:

Nuclear Fields International B.V.

Akkervoortweg 5
5827AP, Vortum-Mullem
The Netherlands

Tel. nr. : +31 (0)485561111
E-mail : info@mullekom.nl
Web : www.nuclearfields.com
VAT : NL004068592B01

Chamber of Commerce Eindhoven

reg. nr. : 16036782

Document: SSC-B

Revision	Modified On	Modified By	Modifications
Rev A	27-Okt-2020	Rens Korsten (NS)	Rev A created

